



**WISCONSIN INSURANCE PLAN**

600 W Virginia St Ste 101  
 Milwaukee, WI 53204  
 Phone: 414-291-5353  
 Fax: 414-291-5365  
 www.wisinsplan.com

**SOLID FUEL QUESTIONNAIRE**

Policy#: \_\_\_\_\_

Named Insured: \_\_\_\_\_

Agent: \_\_\_\_\_

Property Location: \_\_\_\_\_

**REQUIREMENTS**

1. A photo of the wood/coal burning unit **MUST** be submitted with this Questionnaire.
2. Questionnaire and photo must be submitted within 10 days of application for insurance.
3. Questionnaire must be inspected and signed by a licensed contractor or member of local fire department when unit is **NOT** factory installed or commercially installed by appliance distributor or licensed expert.

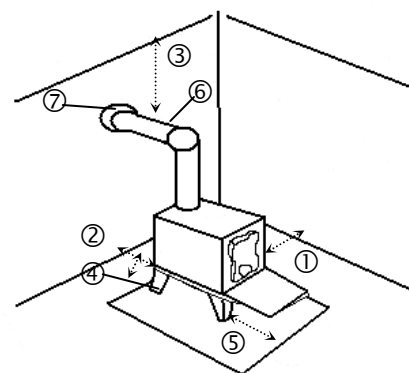
**STOVE INFORMATION**

<b>TYPE</b>	<input type="checkbox"/> Radiant <input type="checkbox"/> Circulating <input type="checkbox"/> Franklin <input type="checkbox"/> Other (specify):
<b>MAKE/NAME</b>	By: _____ U.L. Approved?..... <input type="checkbox"/> Yes <input type="checkbox"/> No
<b>USE</b>	<input type="checkbox"/> Primary Heat <input type="checkbox"/> Auxiliary Heat <input type="checkbox"/> Cooking <input type="checkbox"/> Other (specify):
<b>INSTALLED</b>	By: _____ Date: _____
<b>FLOOR PROTECTION</b>	<input type="checkbox"/> Asbestos Millboard Covered with Metal <input type="checkbox"/> Metal <input type="checkbox"/> Stone/Brick <input type="checkbox"/> Other (specify below)
<b>WALL PROTECTION</b>	<input type="checkbox"/> Asbestos Millboard Covered with Metal <input type="checkbox"/> Metal <input type="checkbox"/> Asb. Millbrd <input type="checkbox"/> Other (specify below)
<b>CHIMNEY &amp; STOVE PIPES</b>	CHIMNEY TYPE: <input type="checkbox"/> Factory <input type="checkbox"/> Masonry <input type="checkbox"/> Other (describe):
	How often checked for creosote build-up?
	Date Last Cleaned: _____ By Whom? _____
	Does vent pass through a combustible partition?..... <input type="checkbox"/> Yes <input type="checkbox"/> No
	If yes, is protection thimble or sleeve used?..... <input type="checkbox"/> Yes <input type="checkbox"/> No
	Does pipe vent pass directly through the roof? ..... <input type="checkbox"/> Yes <input type="checkbox"/> No
Are any other heating units vented to chimney?..... <input type="checkbox"/> Yes <input type="checkbox"/> No (describe below)	
Is stove vent system equipped with heat reclaiming unit or flue radiator? ..... <input type="checkbox"/> Yes <input type="checkbox"/> No	

**CLEARANCES**

1. Side of unit to nearest wall ..... inches.
2. Rear of unit to wall ..... inches.
3. Top of stovepipe to ceiling ..... inches.
4. Bottom of unit to floor ..... inches.
5. Front of unit to front edge of floor protection ..... inches.
6. Size of stovepipe used ..... inches.
7. Size of thimble or roof joist shield ..... inches.

Do these distances comply with the manufacturer's standards?.....  Yes  No



**MISCELLANEOUS**

<b>FUEL</b>	<input type="checkbox"/> Wood <input type="checkbox"/> Coal <input type="checkbox"/> Other (specify):
<b>PREVENTION</b>	Fire Extinguisher in Room?..... <input type="checkbox"/> Yes <input type="checkbox"/> No    Smoke Alarm? ..... <input type="checkbox"/> Yes <input type="checkbox"/> No
<b>ADDITIONAL REMARKS</b>	

Signature: \_\_\_\_\_

Date Inspected: \_\_\_\_\_

**PHOTO MUST BE ATTACHED**